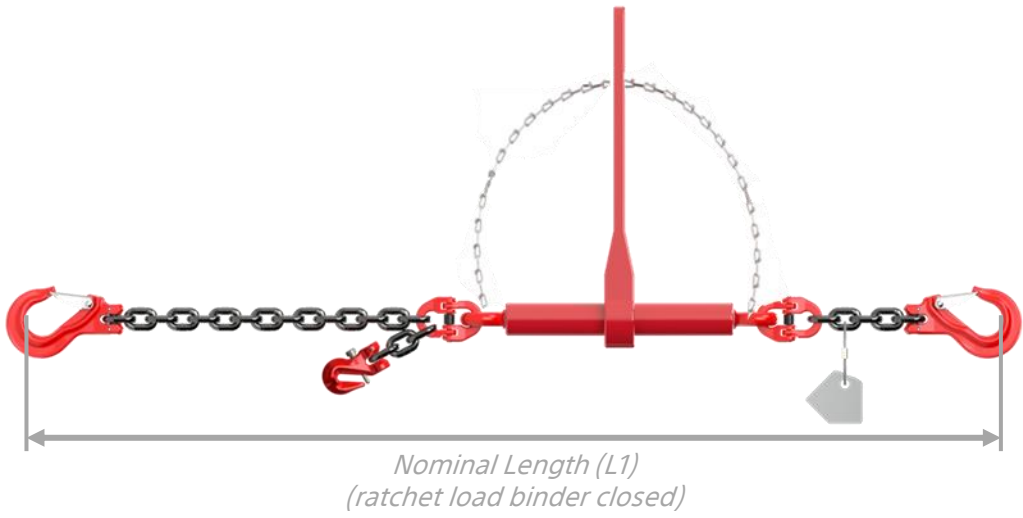


## Standard Load Binder + Chain Sling (1-parted / 6-8)



**Item number:** 13-20080061-002000-010

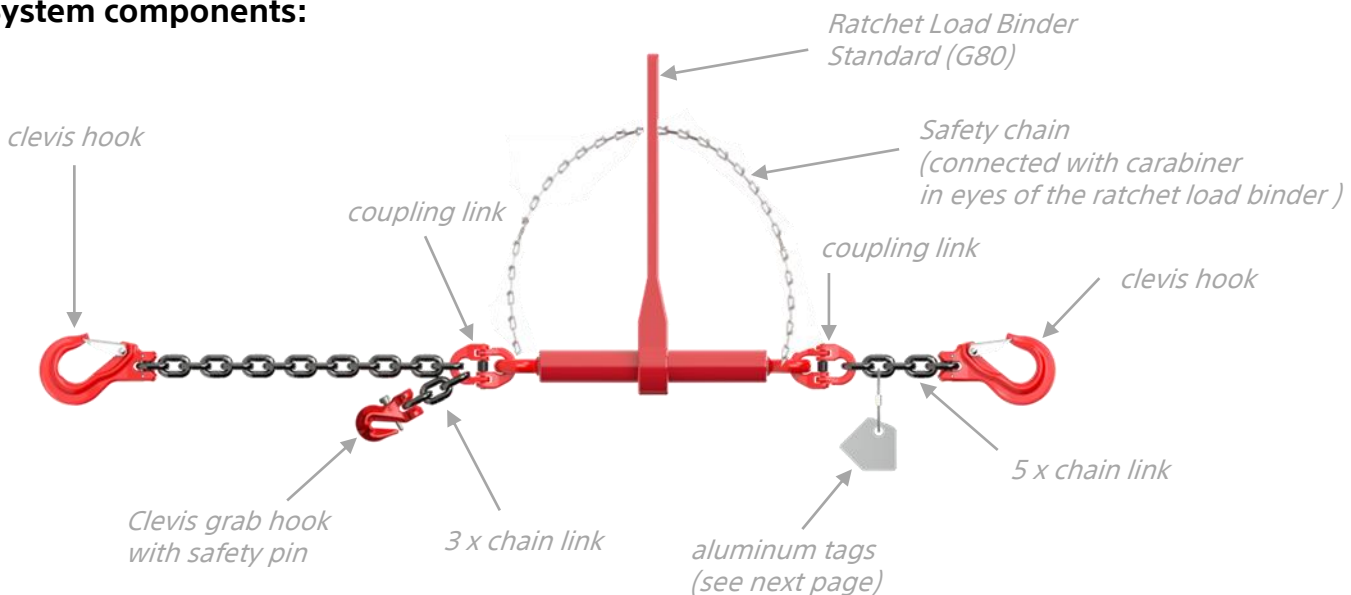
**Description DE:** Dolezych Zurrspannkette PowerLash L150; 1-teilig; DIN EN 12195-3; zulässige Zugkraft (LC): 2.200 daN; Ketten-Nenngröße: 6; Ketten-Güteklasse: 8; Parallelhaken; Nennlänge L1: 2.000 mm

**Description EN:** Dolezych lashing chain PowerLash L150; 1-part; DIN EN 12195-3; Lashing Capacity (LC): 2,200 daN; Chain nominal size: 6; Chain quality class: G80; parallel hook; Nominal length L1: 2,000 mm

### Technical characteristics:

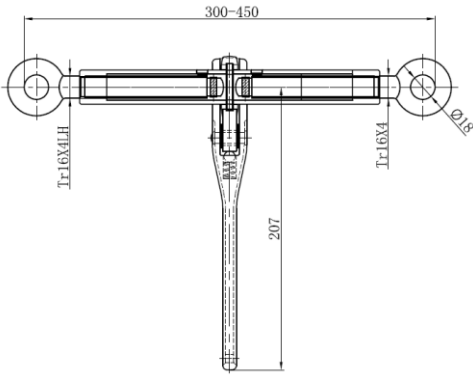
Lashing Capacity (LC)	2.200 daN
Standard Tension Force (STF)	550 daN
Nominal Length (L1) (ratchet load binder closed)	2.000 mm
H-stemp	No
Chain nominal size	6
Chains quality class	8 / G80
Norm	DIN EN 12195-3
Clamping distance	≈ 150 mm
Chain	Round steel chain (black)
Shortening element	Clevis grab hook with safety pin
End hook	Clevis hook
Ratchet Load Binder	Standard (G80)

### System components:

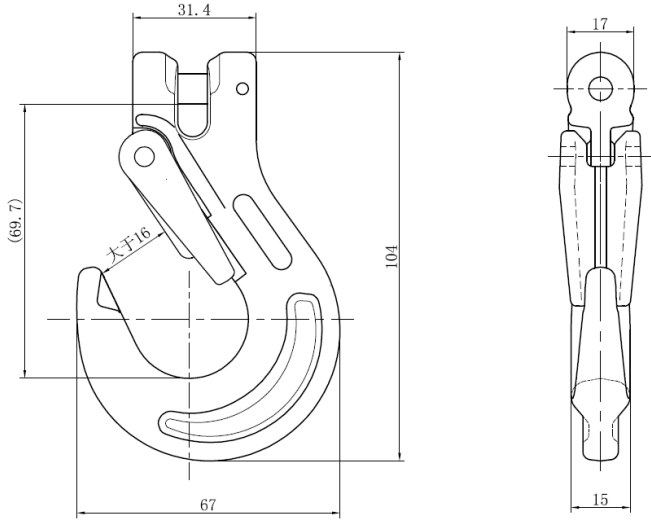


## List of integrated components:

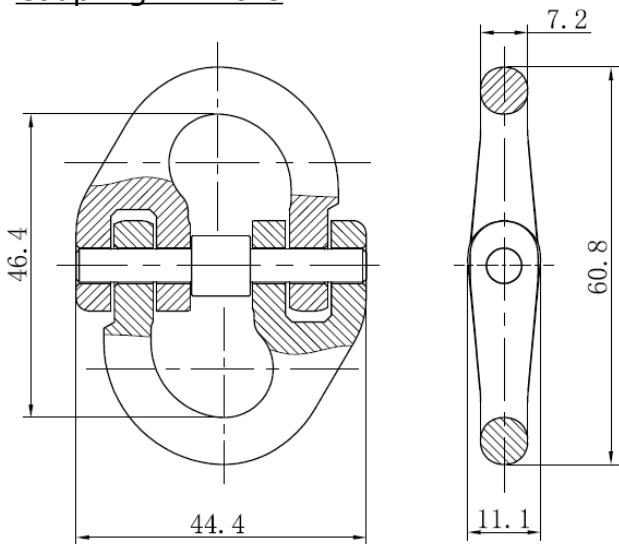
### Ratchet load binder: 6-8



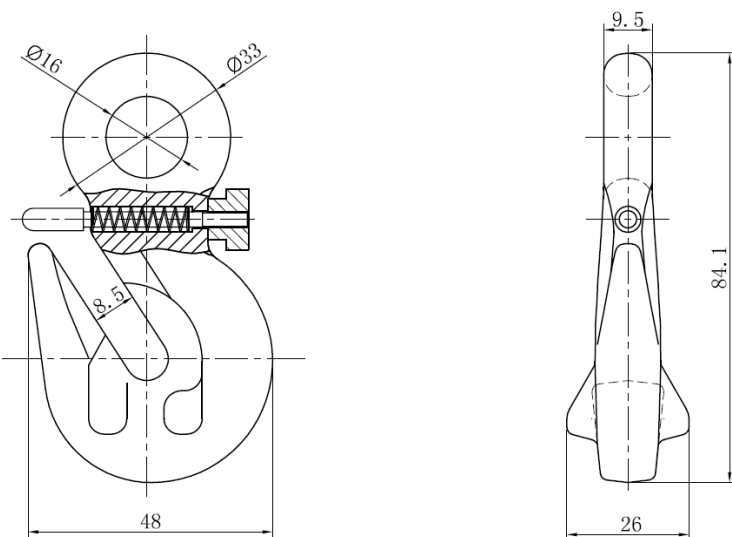
### Clevis hook: 6-8



### Coupling Link: 6-8

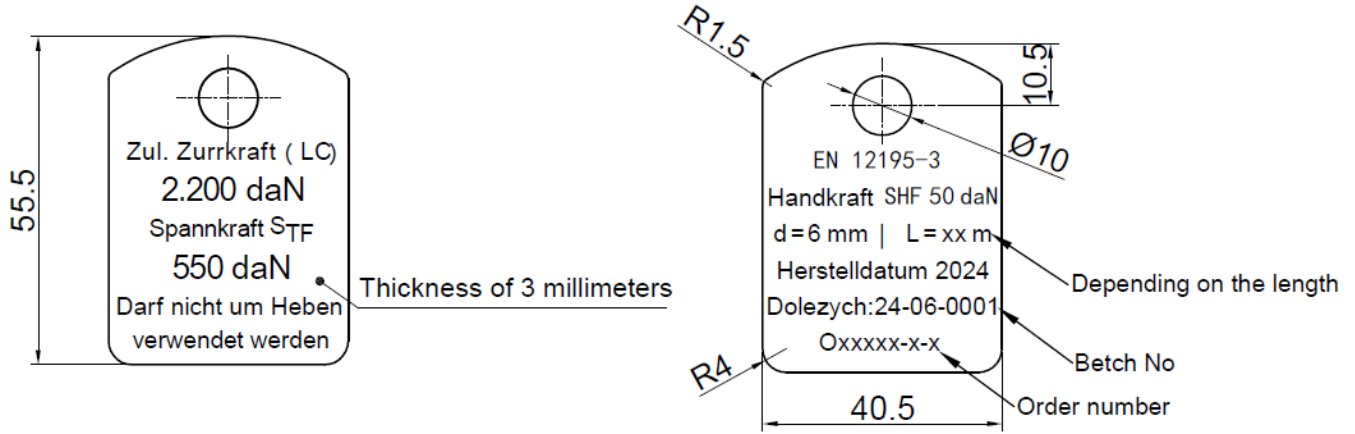


### Clevis grab hook with safety pin: 6-8

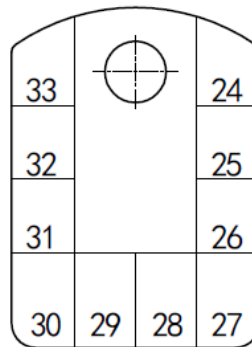
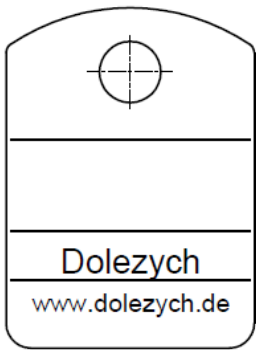


## Label with aluminum tag:

### Identification plate



### Inspection plate:



### Sticky note:

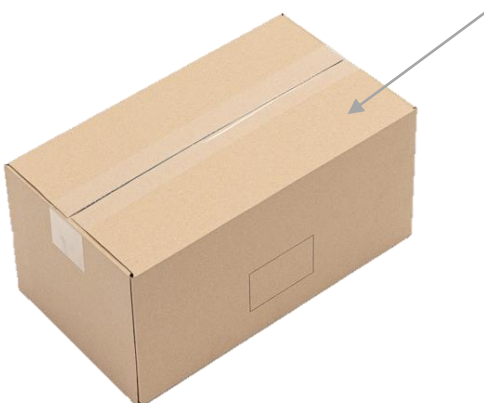
- Must be glued to every ratchet load binder
- The value is the maximum length that the threads can be turned out

## WARNHINWEIS!

Audrehsicherung nicht überdrehen -  
75 mm pro Seite

Ein Überdrehen kann zur irreparablen  
Beschädigung des Ratschlastspanners führen

### Cardboard box:



#### Imprint on every box:

Art.-Nr.: 13-20080061-002000-010

Zurrspannkette 6-8  
PowerLash L150  
1-teilig

DD 24-06-0001

Stückmenge: 1

*Batch No*

*(Same on Identification plate)*

*Number of products  
in the box*